



# A-1802-0937

Coolgap bobbin  
ER48/21/21

DIMENSIONS - Height 40,50mm x Diameter 18,60mm  
**ER CORES**

### Featured/applications

Coolgap is an innovative cooling system that removes the heat directly from the source. In inductive components, higher power density and lower losses can be achieved thanks to the considerable reduction of the temperature at its origin, resulting in a global weight and volume reduction of the part.

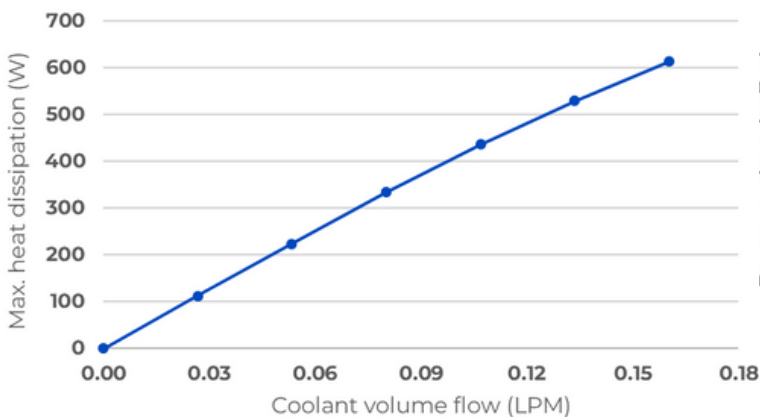


## 01 MATERIAL PROPERTIES

Coilformer material	High-temperature resin
Thermal conductivity	0,63 W/mK
Specific heat	951 J/kgK
Density	1721 kg/m <sup>3</sup>
Thermal expansion coefficient	47 um/m°C
Thermal class (IEC61857-21)	155°C (F)
Compatibility	Good water, glycol and oil compatibility

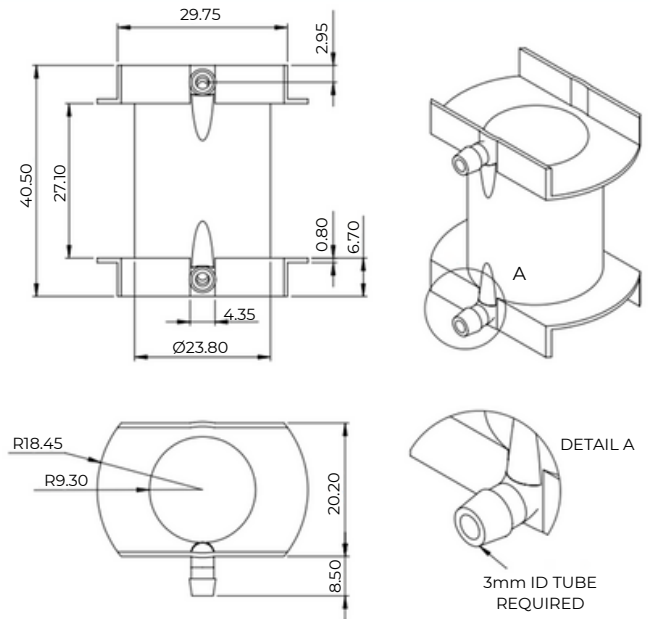
## 03 SPECIFICATIONS

### HEAT DISSIPATION



\*Heat dissipation considering 100°C fixed coil-former temperature.

## 02 MECHANICAL DIMENSIONS



Tolerances: ISO 2768-1m unless otherwise specified

### PRESSURE DROP

