



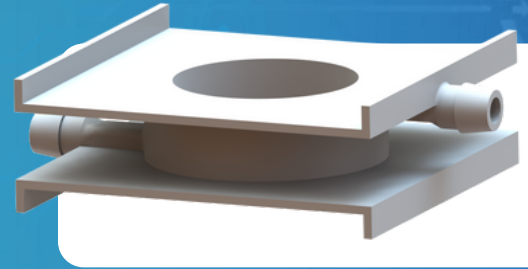
A-1802-0927

Coolgap bobbin
Planar ER41/76/32

DIMENSIONS - Height 12,20mm x Diameter 33,20mm
PLANAR ER CORES

Featured/applications

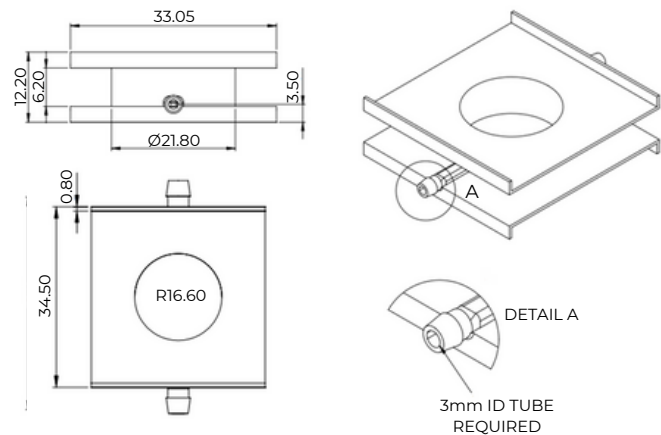
Coolgap is an innovative cooling system that removes the heat directly from the source. In inductive components, higher power density and lower losses can be achieved thanks to the considerable reduction of the temperature at its origin, resulting in a global weight and volume reduction of the part.



01 MATERIAL PROPERTIES

| | |
|-------------------------------|--|
| Coilformer material | High-temperature resin |
| Thermal conductivity | 0,63 W/mK |
| Specific heat | 951 J/kgK |
| Density | 1721 kg/m ³ |
| Thermal expansion coefficient | 47 $\mu\text{m}/\text{m}^\circ\text{C}$ |
| Thermal class (IEC61857-21) | 155°C (F) |
| Compatibility | Good water, glycol and oil compatibility |

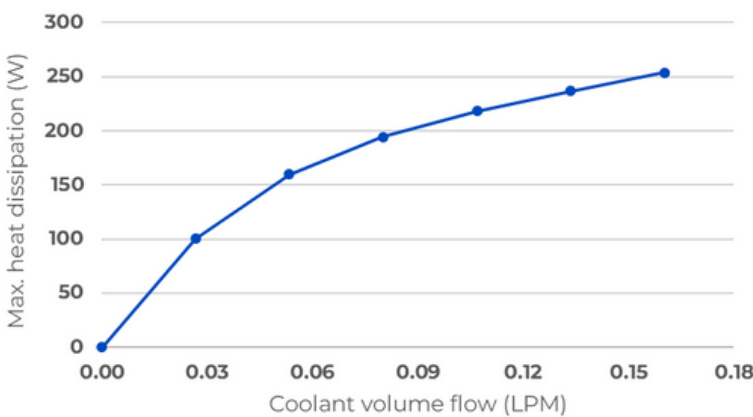
02 MECANICAL DIMENSIONS



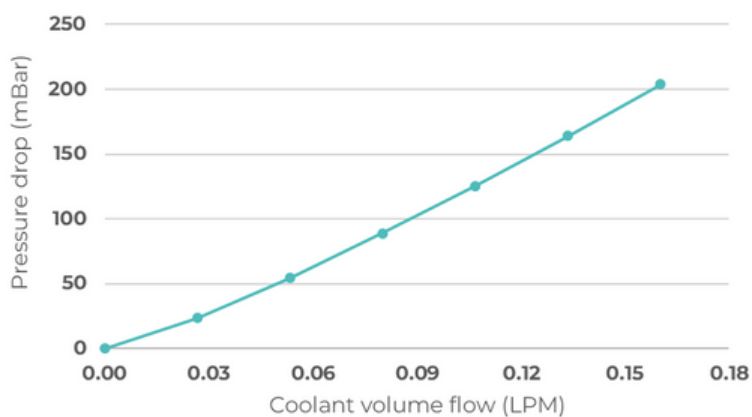
Tolerances: ISO 2768-1m unless otherwise specified

03 SPECIFICATIONS

HEAT DISSIPATION



PRESSURE DROP



*Heat dissipation considering 100°C fixed coil-former temperature.